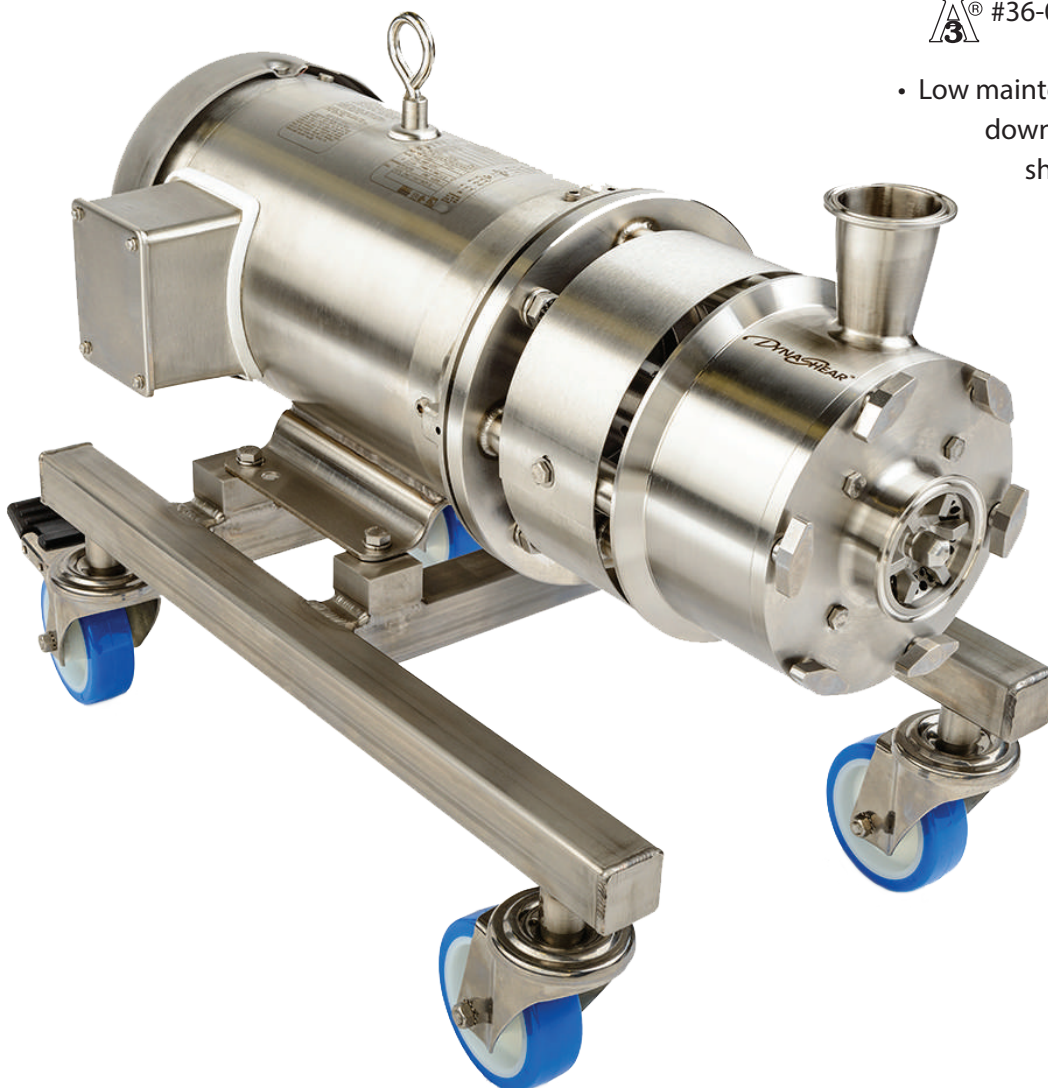


Technology designed for 24/7 operation


The DynaShear represents the latest technology for sanitary inline continuous processing, or batch processing with recirculation. The DynaShear will blend, dissolve, deagglomerate, disperse, and emulsify a wide range of fluids and semifluids, and is particularly effective for wetting out powders into a liquid. It features a first-in-class tandem head design combining the benefits of both an axial and a radial stage, creating excellent shear and flow characteristics. The result is droplet size reduction as low as 2 - 3 microns and a very narrow distribution, plus flow capacities that are substantially higher than existing inline mixers.

QUICK SHIP ▶▶▶

Ships within 14 days of order!



The DynaShear advantages – making your job easier and faster!

- Total washdown and CIP capability with  #36-01 compliance
- Low maintenance design for minimum downtime – no bushings, wear sleeves, shims or bearing supports to wear out
- Disassemble and reassemble for inspection and cleaning in less than 5 minutes
- Two models are available to process 10 - 175 GPM
- Seal pressure ratings up to 450 PSI at 400° F. Balanced single and double-barrier mechanical seals are available, designed for sanitary applications with CIP requirements



DynaShear Inline Mixing Technology Improves Your Process

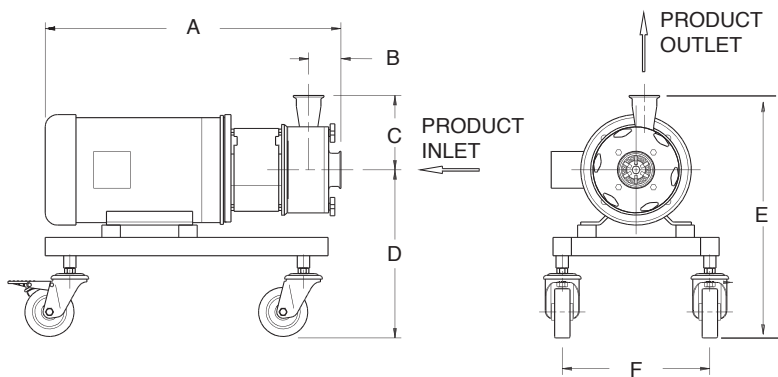
The DynaShear is designed to provide maximum versatility to meet your processing needs, and is offered in several different configurations. Whether you are looking for a stand alone inline mixer, a mixer to augment your batch process agitator, or further product refinement, the DynaShear ensures consistent quality with precise reproducibility.

DynaShear Sizing and Engineering Data

Model	Axial Diamter (inches)	Axial Tip Speed (FPM/FPS)	Radial Diameter (inches)	Radial Tip Speed (FPM/FPS)	Motor Size (HP)	Motor Speed (RPM)	Flow Rate (GPM)
DS-425	2.25	2121 / 35	4.25	4006 / 67	5	3600	65
DS-575	3.66	3450 / 58	5.75	5419 / 90	20	3600	175

Note: Flow rates based on 1 centipoise. High viscosity liquids, solids concentrations, or discharge head conditions may require an auxiliary feed or stuffing pump.

DynaShear Dimensional Data



Model	Dimensions (inches)						Sanitary Fitting Size	
	A	B	C	D	E	F	Inlet	Outlet
DS-425	25	2.6	6.1	13.1	19.2	12	2.5	2
DS-575	32.2	3.18	8.3	14.9	23.2	14.5	4	3

Note: Dimensions are approximate and subject to change.

EMPLOYEE OWNED...
CUSTOMER FOCUSED

Advanced Dual Stage Design

The Primary Axial Stage

The axial stage consists of an axial flow rotor feeding into a stator with multiple small ports, forcing material between their faces and out through the ports. This mechanical and hydraulic action causes tremendous shearing action and "pre-mixes" the materials prior to entering the secondary stage. Particle and droplet size reduction down to 5 - 7 microns is typical in this stage.



The Secondary Radial Stage



The radial stage consists of a radial, high flow rotor discharging through a slotted stator providing additional mechanical and hydraulic shear. The centrifugal force at this stage allows the mixture to be pushed away from the shaft and along the radius of the stator, forcing high speed expulsion at the edge of the slots.

This stage provides a substantial momentum change in the flow, resulting in beneficial residence time for further refining of the mixture. Stable emulsions with droplet sizes of 2 - 3 microns or less are typical within this stage.

The Benefits of Advanced Mechanical Design

This combination provides greater efficiency and effectiveness over conventional inline mixers that offer either all axial or all radial technology only. A single pass through the DynaShear yields product quality typical of multiple passes using conventional mixers.

